

Model: RPC-870-8
4U 19" Rackmount Rugged Chassis,
with 8" LCD

RPC-870-8T
4U 19" Rackmount Rugged Chassis,
with 8" LCD & Touch Screen



Main Feature

- 4U 19" Rack Mount Rugged Design
- Aluminum front panel and Steel chassis, Front Panel meet IP65/NEMA4 Standard
- Front 8" TFT LCD display (Option Touch Screen), built-in slim keyboard and Touchpad drawer
- Shock-resistant Drive Bay to hold 1 x 5.25" and 2x 3.5"
- Flexible mechanical design supports PS2 or Redundant power supply
- Two Front Accessible USB port
- Support SBC (14 Slots) or ATX / Micro-ATX / Mini-ITX Main Board
- Power status indicator by front viewable LED indicator

Specification

- Disk Drive Bay: 5.25"x1, 3.5"x2 (Internal).
- Cooling Fan: 2x(92x92x25mm) hot swap cooling fan with air filter
- I/O interface: 2xUSB Accessible from the front door
- Support OSD function (underneath Top Cover)
- Keyboard: built-in 88-keys (US) keyboard and touch pad.
- Dimension: (WxHxD): 430x177x470mm
- Chassis Color: Antique White (Optional: Black)
- Touch screen: resistive (optional)
- Display:

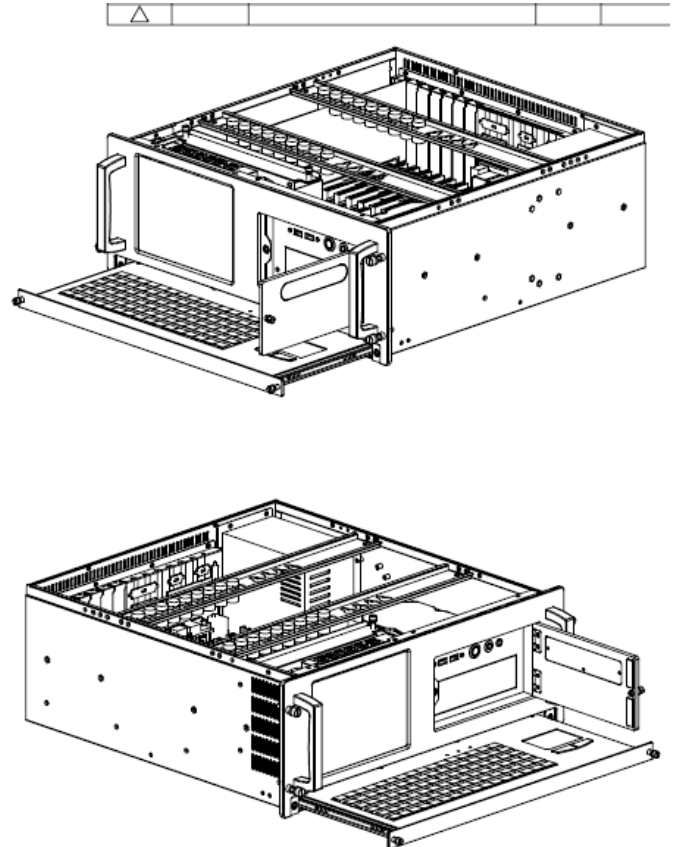
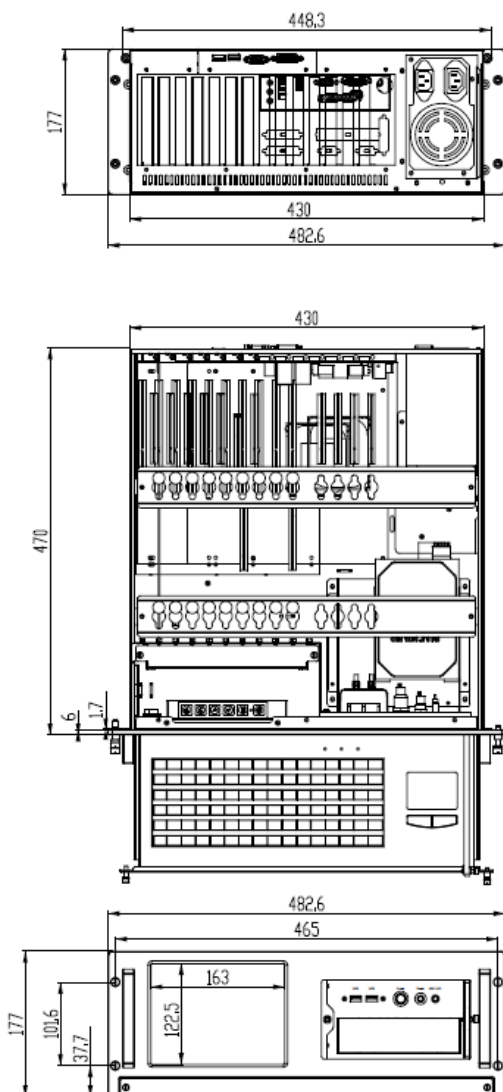
1. Display Type: 8" XGA TFT LCD	2. Resolution: 1024 x 768
3. Max. color: 16.7M	4. Luminance: 350 nit
5. View Angel: 140° (H) , 120° (V)	6. Pixel Pitch: 0.05275 x 0.15825
7. Contrast Ratio: 800 : 1	8. Response Time: 25ms
9. Power Consumption: 3 W	10.LCD TBF: 40,000 hrs

Touch Screen (Optional)

- Type: Analog resistive type: 25VDC \geq 20M Ω
- Resolution: continuous
- Light transmission: 80% or more
- Controller: RS-232 interface or USB
- Power consumption : < 5V @1mA
- Surface hardness: 3H
- Operating force: \leq 100g
- Life expectancy: 1 Million

Ordering Information	
RPC-870-8	4U 19'' Rackmount Rugged Chassis, with 8'' LCD
RPC-870-8T	4U 19'' Rackmount Rugged Chassis, with 8'' LCD & Touch Screen

Structure Diagram



Ver.	A0	FINISHING							
Q'ty	1	MATERIAL							
SELECT V	V								
DM	TOL	A	B	C	D	EXTG	3RD ANGLE'S		
-8		±0.03	±0.05	±0.10	±0.20		APPROVED		TITLE
8-25		±0.05	±0.08	±0.15	±0.30		CHECKED		RPC-870-8
8-25		±0.05	±0.08	±0.15	±0.30				DRAWN NO. RPC-870-8-3D3V.DWG