

**Model:** PPC-3208T  
**8" Fanless Touch Panel PC - Intel Celeron J1900; 6 x COM; IP65 front protection**



### Application:

Factory Automation; Processor Automation; Power Generation; Marine / Offshore Industrial; Kiosk ...

### **Main Feature**

- LED Panel - Higher Brightness; Longer Life Span; Better Viewing Angle; Less Power Consumption ...
- 8" SVGA LED Panel support 800x600 pixels
- Intel Celeron J1900 ( 2.0GHz, Quad Core)
- 6mm Aluminum Magnesium Alloy front bezel (with PET protection film) - light weight design
- NEMA4 / IP 65 compliant front panel, with Rugged construction design
- Aesthetic ultra-thin front bezel for minimize stain water & dust
- 6 x RS232 serial port
- (Optional - WIFI) MINI PCI-E WIFI Module with Antenna
- Panel (Flush) mounting with clip
- Meet standard VESA hole ( 75 x 75 mm ), support desk top stand / wall mount / swing arm mounting

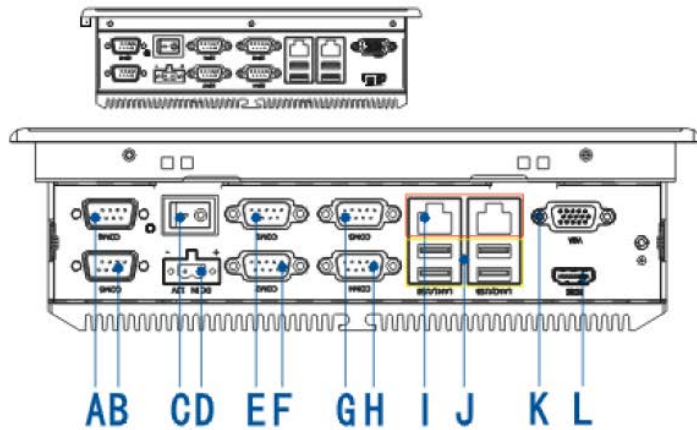
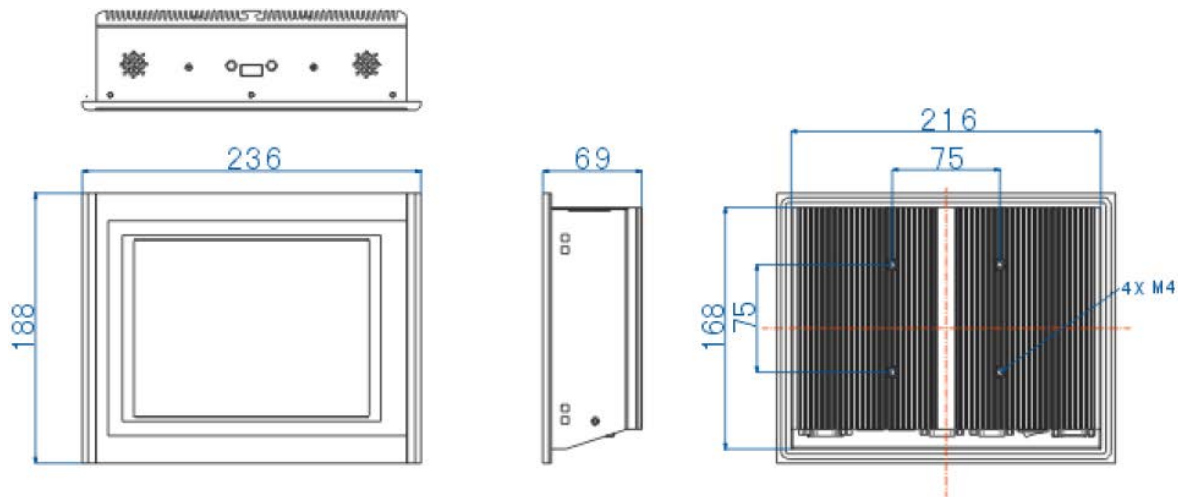
Specification	
Product Model	PPC-3208T
CPU	Intel Celeron J1900 ( 2.0GHz, Quad Core, 2MB Cache, up to 2.41 GHz w/ burst frequency enabled)
Chipset	Intel® SOC integrated
Memory	1 x DDR3L SO-DIMM Socket up to 8GB
Storage	Space for 1x 2.5" HDD/SSD, support mSATA

Display	Display Type : 8'' SVGA <u>LED Panel</u> LCD Resolution : 800 × 600 Luminance : 250 cd/m2 View Angel : 140° (H), 120° (V)
LAN	2 x Realtek ® RL8111E (Gigabit ) 10/100/1000Ethernet
USB port	1 x USB 3.0 and 3 x USB 2.0
Display output	1 x VGA and 1 x HDMI
Expansive interface	1 x Mini PCI-E (support WIFI & 3G card)
Back panel I/O port	2 x RJ45; 1 x USB 3.0; 3 x USB 2.0; 1 x VGA ; 1 x HDMI; 6 x COM; 1 x Power / Reset Switch; 1 x 12VDC input terminal
Supporting OS	DOS; Windows 7/8.1/10; Linux
Touch Screen	Internal USB or RS-232 <u>industrial grade 5 wire Resistive Touch controller</u> Resolution: 4096 x 4096 Light transmission: 80% or more Surface hardness : 3H Operating force : ≤100g Life expectancy : 35 Million Operation system : Window 2000 / XP / Vista / 7 / CE, DOS , Linux
Wireless LAN (optional)	MINI PCI-E WIFI Module with Antenna
Power Supply	12VDC input terminal
Construction	Heavy duty steel and aluminum front panel
Environment	Operating temperature: -15° C to 60° C Relative humidity: 10% to 90%non-condensing Vibration: 17 to 500HZ 1G PTP; Shock: 1G /peak( 11m sec)
Compliance	CE; FCC; ROHS
Dimension W x H x D	236 x 188 x 69 mm

## Ordering Information

PPC-3208T	8" Fanless Touch Panel PC - Intel Celeron J1900, with Touch Screen, with 100-240VAC to DC 12V 60W adapter
Optional - RAM	4 to 8GB DDR3L SO-DIMM RAM
Optional - SSD / HDD	32 GB to 1TB SSD / 500GB to 2TB 2.5" SATA HDD
Optional - WIFI	MINI PCI-E WIFI Module with Antenna
Optional - OS	Windows 7/8.1/10 Professional

## Structure Diagram (Panel cut-off dimension: 219 x 171mm) Unit: mm



### I/O definition:

- |                 |                |
|-----------------|----------------|
| A: COM 6        | B: COM 5       |
| C: Power switch | D: DC IN (12V) |
| E: COM 1        | F: COM 2       |
| G: COM 3        | H: COM 4       |
| I: LAN          | J: USB *4      |
| K: VGA          | L: HDMI        |