

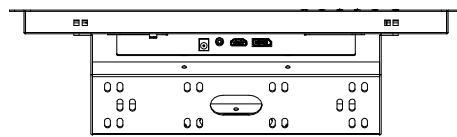
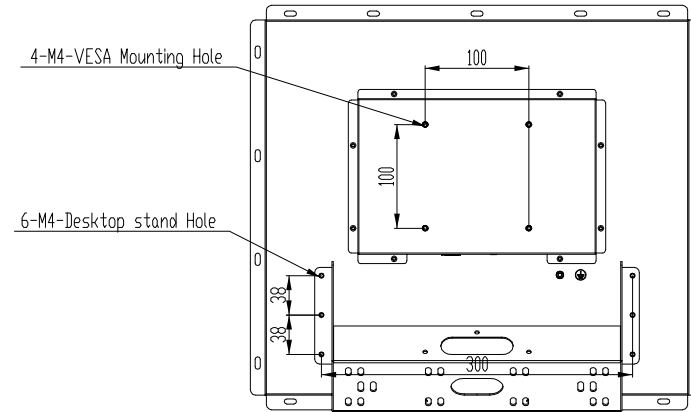
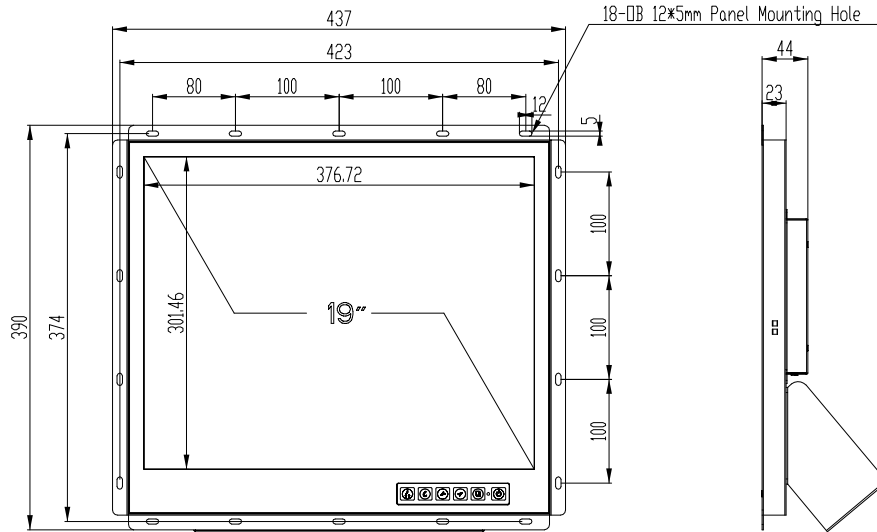
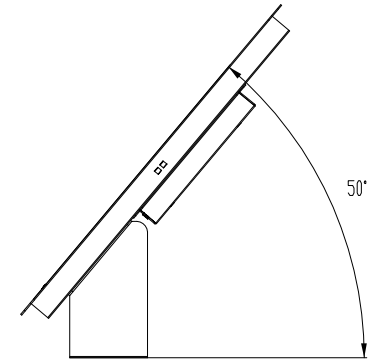
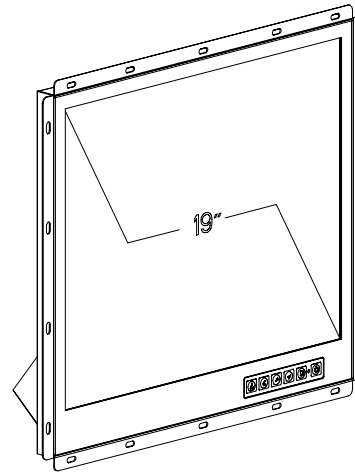
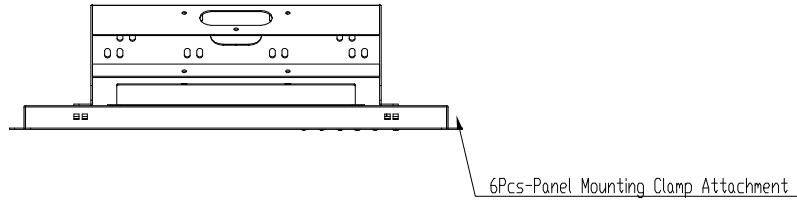
Model: OFM-19M

19" Marine Open Frame Monitor, with mounting bracket and DP + HDMI input



- Mounting bracket & Flush mount clips
- Optional – upgrade Sunlight Readable
- Optional – Dimming Button (0-100%)
- Optional - 19" Rackmount Kit

6	7	8
MARK	DATE	UPDATE DESCRIPTION
△		
	SIGN	APPROVER



Ver.	A0	FINISHING										
Q'ty	1	MATERIAL										
SELECT V	V				3RD ANGLE'S		TITLE	QFM-19				
DIM	TOL	A	B	C	D	EXTRA	APPROVED	DRAWIN NO.	QFM-19-3D3V.DWG			
~8	±0.03	±0.05	±0.10	±0.20			CHECKED	MODEL NO.	QFM-19	SCALE	0.2	UNIT: MM
8~25	±0.05	±0.08	±0.20	±0.30			DESIGNED	Jack	PART NO.	SIZE	A3	SHEET: 1 OF 1
25~80	±0.08	±0.12	±0.30	±0.40			DATE	20-Mar-24				
80~250	±0.12	±0.20	±0.40	±0.50								
250~	±0.20	±0.30	±0.50	±0.60								
ANGLE TOL	±0.2°	±0.3°	±0.4°	±0.5°								