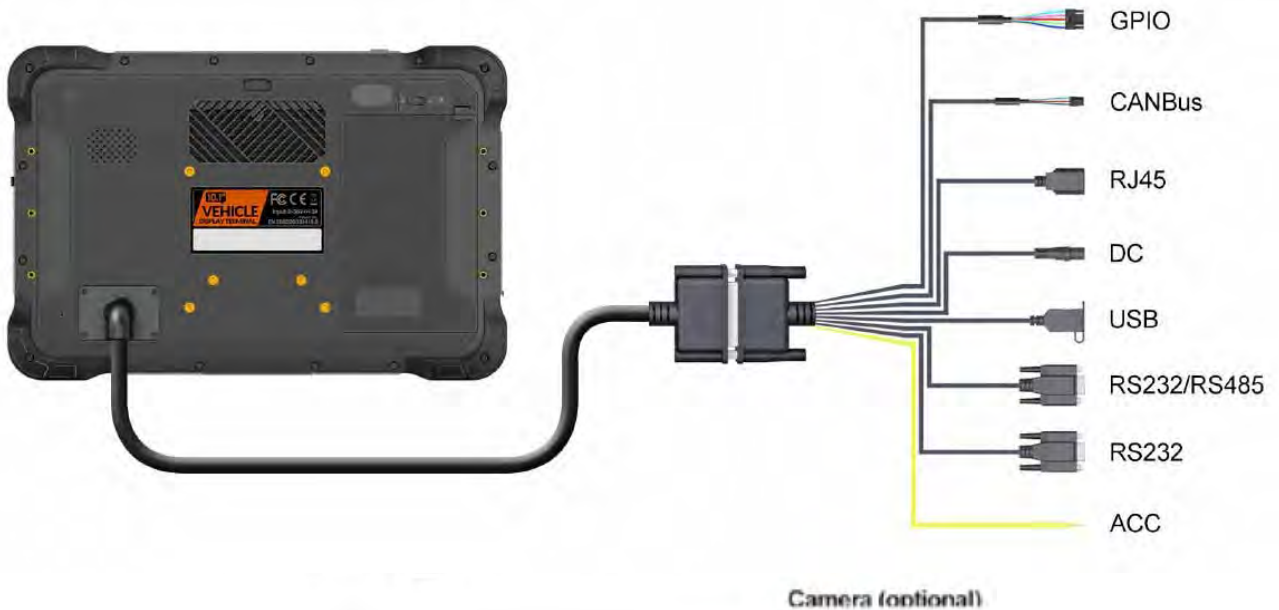
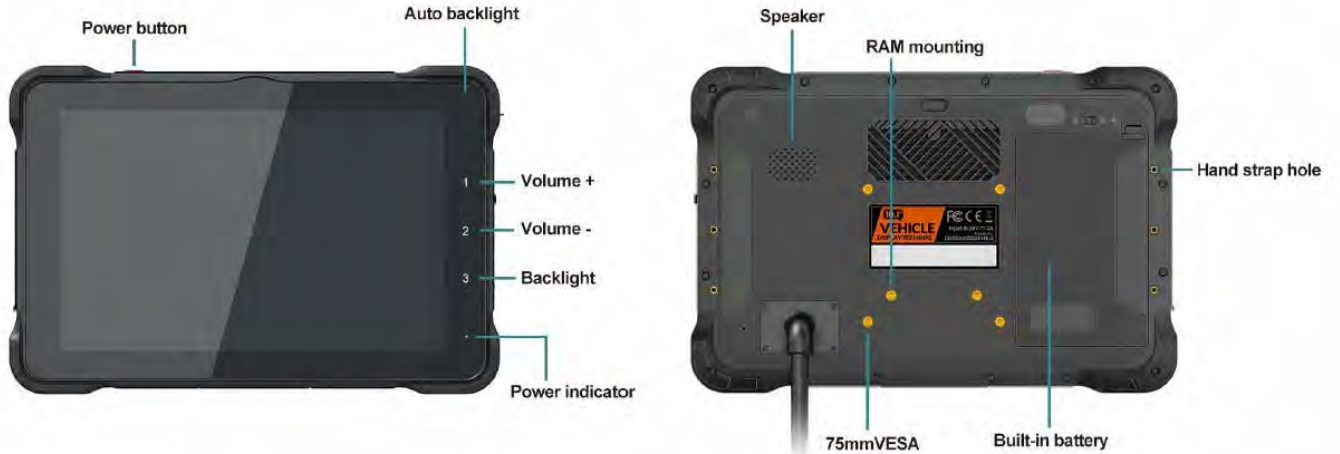


Model: NXP-10VT
10.1" Sunlight Readable In-Vehicle Tablet



Specifications

CPU	NXP i.MX 8M Mini, ARM® 4xCortex®-A53 1.6GHz
GPU	1x Shader, Vivante GC320, Vivante GCNanoUltra
Operating System	Linux Debian 10
RAM	2 GB LPDDR4 (Default)/4GB(Optional)
Storage	16 GB eMMC (Default)/64GB(Optional)
Storage Expansion	Micro SD 256 GB
LCD	10.1 inch HD (1280 x 800), 1000cd/m ² high brightness, sunlight readable
Touchscreen	Multi touch capacitive touchscreen supporting glove and rain mode
Bluetooth (Optional)	BLE5.0
WLAN (Optional)	IEEE 802.11 a/b/g/n/ac; 2.4GHz/5GHz
Mobile Broadband (Optional)	LTE, HSPA+, UMTS, EDGE, GPRS, GSM (Data and Voice)
GNSS (Optional)	GPS/GLONASS/Galileo
Sound	Build-in 2W speaker
	Build-in microphones
Interfaces	Type-C, Compliant with USB 2.0 (for data transfer, support OTG)
	3.5mm headphone jack
Sensors	Ambient light sensor
Power	DC9-36V (ISO 7637-II compliant)
Battery (Optional)	3.7V,8000mAh Li-Ion (Replaceable)
	Operating time: about 4.5hours (Typical)
	Charging time:about 4.5hours (Typical)
Environment	Gravity drop resistance test: 120cm
	Vibration test: MIL-STD-810G
	Dust resistance test: IP6x
	Water resistance test: IPx7
	Operating temperature: -10° C ~ 65° C (14° F-149° F)
	0° C ~ 55° C (32° F-131° F)(charging)
	Storage temperature: -20° C ~70° C (-4° F ~158° F)
I/O Ports	USB2.0(Type-A)
	RS232 x2
	ACC
	Power
	CANBus x1 (Optional CANBus x2)
	GPIO x8
	RJ45
	RS485 (Optional)
Physical Dimensions (WxDxH)	277×185×31.6mm
Weight	1357g (2.99lb)