

Model: MPCX-J3355-DINrail / MPCX-J3355-DINrail-4GL / MPCX-J3355-DINrail-6L
Intel® Celeron™ J3355 (Apollo Lake) Compact Size Controller (DIN-rail) PC
 with 2 to 6 x GbE, 2 x mPCIe, 1 mSATA, 2 x COM, 4 x USB 3.0/2.0, HDMI, 9-30V DC input



MPCX-J3355-DINrail



MPCX-J3355-DINrail- 4GL



MPCX-J3355-DINrail-6GL

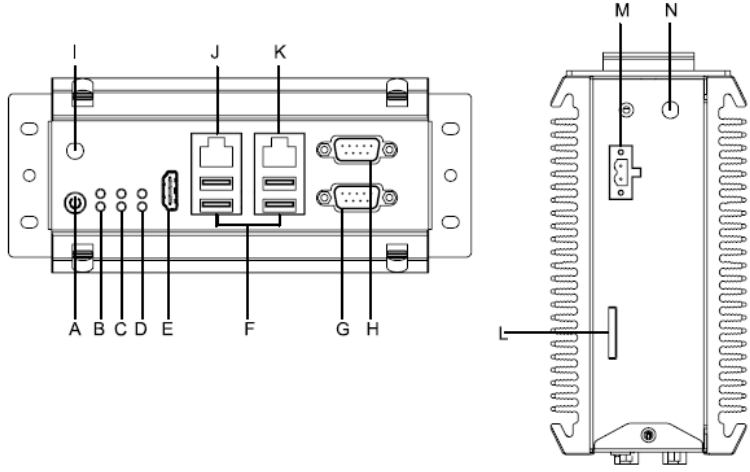
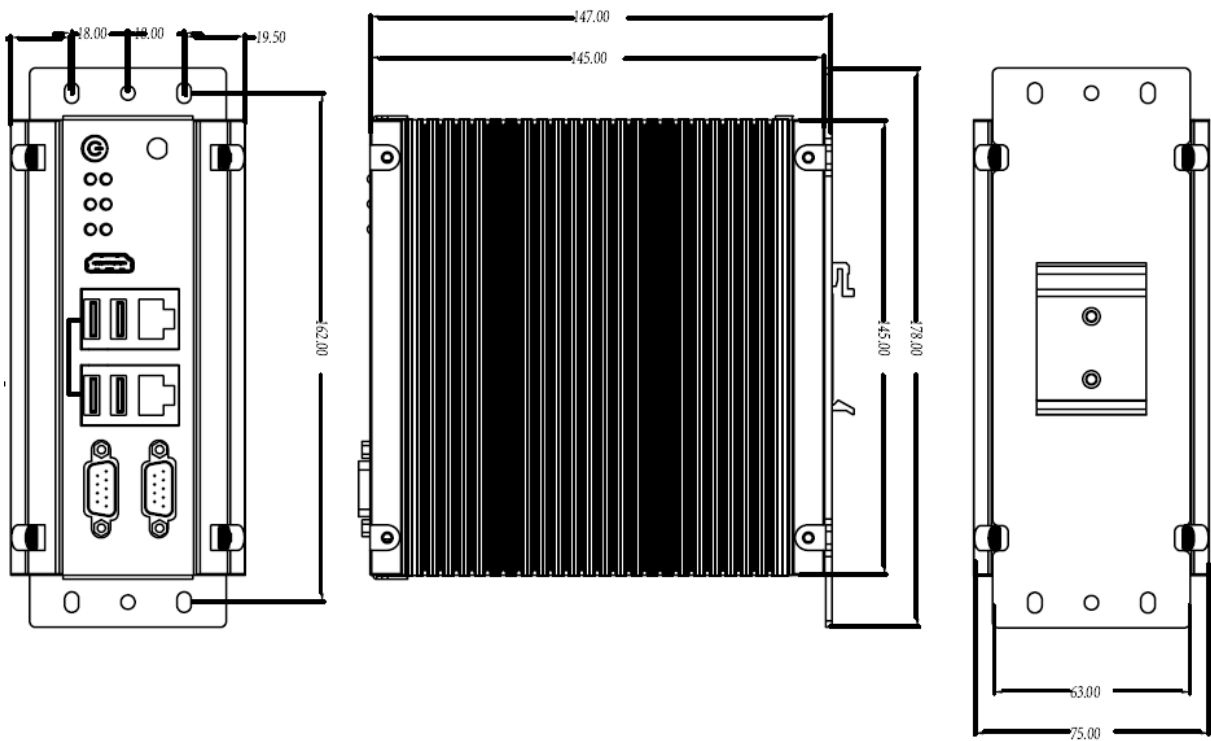
Application:

Factory Automation, Processor Automation, Intelligent Traffic Control, Medical Equipment, Marine / Offshore Industrial ...

Specification	
Processor	Intel® Celeron™ J3355 (2.0 - 2.5GHz, Dual Core, 2MB Cache)
Chipset	Intel® integrated with processor
Memory	1 x DDR3L SO-DIMM Socket up to 8GB
Storage	1 x mSATA (full size)
LAN	2 or 4 or 6 x Intel® i210-IT GbE LAN
USB port	4 x USB 3.0 / 2.0
Graphic	Intel® HD Graphics 500, HDMI 1.4 (supporting maximum resolution of 4096 x 2160 @ 30Hz)
Expansive interface	2 x Mini PCI-E (full size, support WIFI & 3G card)
I/O port	2/4/6 x RJ45, 4 x USB 3.0/2.0, 1 x HDMI, 2 x RS232/485, 1 x Power Switch, 1 x DC input terminal (9-30VDC with Surge and Over voltage protection)
Power Supply	Input: 9~30VDC
Construction	Heavy duty steel and Aluminum (Fanless Design)
Watch-Dog Timer	1 - 255 second programmable
OS supporting	Windows 10, Linux...
Environment	Operating temperature: -20 °C to 60 °C Storage temperature: -40 °C to 80 °C

	Storage humidity: 10% to 90% non-condensing Operating, IEC 60068-2-64, 1Grms, random, 5 ~ 500Hz, 1 hr/axis
Safety Certification	CE, FCC, ROHS
Dimension W x H x D (mm)	145 x 145 x 75
Ordering Information	
MPCX-J3355-DINrail	Industrial DIN Rail Computer - Intel® Celeron™ J3355 with 2 x GLAN
MPCX-J3355-DINrail-4GL	Industrial DIN Rail Computer - Intel® Celeron™ J3355 with 4 x GLAN
MPCX-J3355-DINrail-6GL	Industrial DIN Rail Computer - Intel® Celeron™ J3355 with 6 x GLAN
Optional - AC to DC Adapter	12VDC/40watt Power Adapter, input 110-24VAC
Optional - RAM	4 to 8GB DDR3L SO-DIMM
Optional - SSD	32GB to 2TB mSATA
Optional - WIFI	Mini PCI-E WIFI Module with Antenna
Optional - OS	Windows 10 Professional 64 bit

Structure Diagram



IO View

- A:** Power Switch
- B:** PWR & HDD LED
- C:** COM1 LED
- D:** COM2 LED
- E:** HDMI
- F:** 4 x USB 3.0/2.0
- G:** COM2
- H:** COM 1
- I:** WIFI Cover
- J:** GLAN
- K:** GLAN
- L:** SIM Card slot
- M:** DC Input
- N:** WIFI Cover