

Model: MIPM-19HBT
19" High brightness Marine Industrial Panel Monitor, with Touch screen
(VGA +DVI + S-Video + AV input)

Main Feature

- Dimming knob control backlight brightness from nearly 0% to 100%
- Front IP65 aluminum bezel with powder coating
- Wide range DC8-30V power input with Lockable connector (AC Power in option)
- Front hardness AR glass protection (touch option)
- 1000cd/m2 brightness
- Build in 2 x 2 watts stereo speaker
- IP65 Front OSD Design , Ease for use front OSD control
- Enhanced anti-shock and vibration resistance design
- Meet standard VESA hole (75 x 75mm and 100 x 100mm)
- Panel (Flush) mount ,VESA and bracket mount



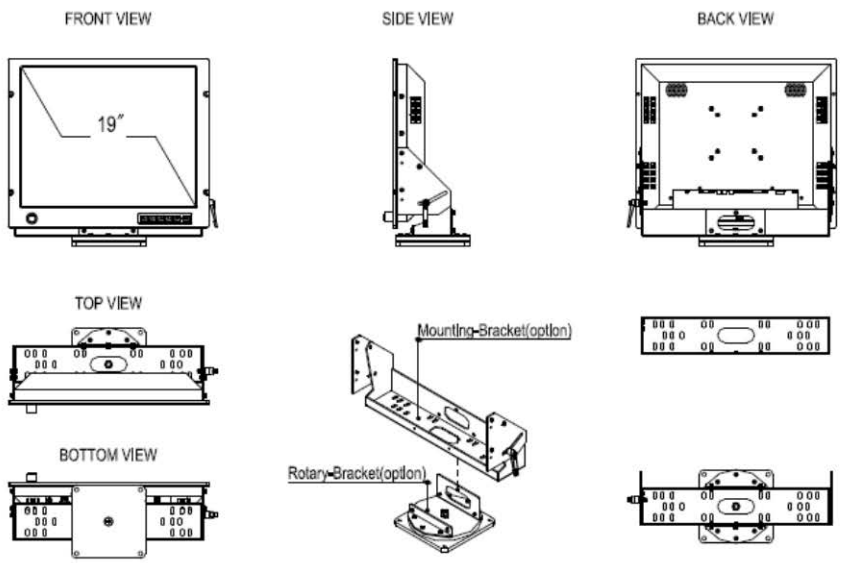
Specification	
Product Model	MIPM-19HBT
LCD Panel	Display Type : 19" SXGA TFT LCD Display Area (mm) : 376.32 x 301.056 mm Screen resolution (Pixels) : 1280x1024 Brightness : 1000cd/m2 Contrast Ratio : 1000 : 1 Pixel Size : 0.294(H) x 0.294(V) Max Color : 16.7M Viewing angle(L/R,T/B) : 80/80, 80/80
Mechanical and Environmental	Power Control : Front Power On/Off via Front Button VR Control : Front VR Brightness Knob Control OSD control : Front on screen display control Mounting : Panel (Flush) mount ,VESA and bracket mount Dimensions (WxHxD) : (, &"l " --"&l '), 'a a Weight : Net 9kg Operating Temperature : 0 °C to 50 °C Storage temperature : -20 °C to 60 °C Storage humidity : 10% to 90%non-condensing Anti-Vibration : 5Hz-500 HZ / 1G PTP Anti-Shock : 15G / Peak(11m sec)
Available Options	Touch Screen : Resistive Type / Capacitive / IR / SAW AC Power input : 100 to 240 V AC Bracket mount : Stand and roof mount / Rotary bracket / Sun Visor bracket
Input Signals	RGB Signal : D-SUB 15P connector(female) Composite Audio/Video : RCA plug S-Video Signal : S-Video (SVHS) plug DVI-D Signal : DVI-D input 24pin connector DC Power Signal : 5.8mm DC Jack with Lockable AC Power Signal (Option) : Standard IEC Inlet

	Touch Screen RS-232 (Optional) : D-SUB 9P connector (female) Touch Screen USB (Optional) : USB-A connector (female)
Power Specifications	DC Input : 8-30V DC to DC power input with Lockable connector
Certification and Approvals	CE/FCC/Rohs Certification: IEC60945

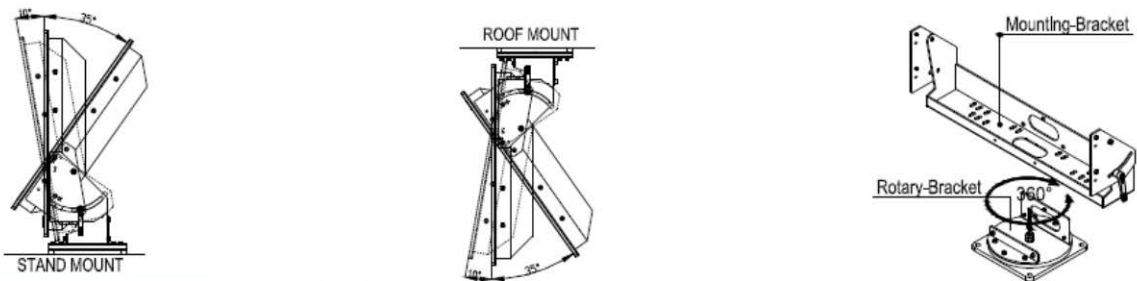
Ordering Information

MIPM-19HBT	19" High brightness Marine Industrial Panel Monitor, with Touch screen (VGA +DVI + S-Video + AV input)
Optional: SR-BKT	Mounting bracket for stand and roof mount
Optional: RT-BKT	Rotary bracket
Optional: SV-BKT	Sun Visor bracket

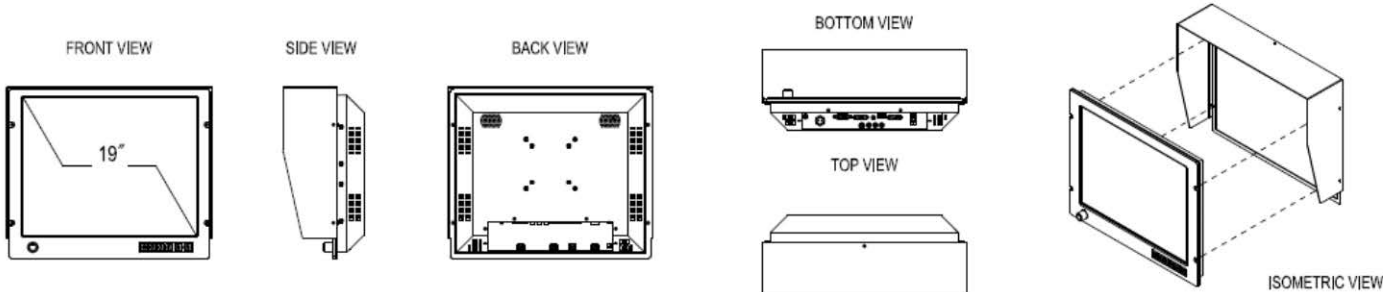
Mechanical Drawing with Robust Bracket (options)



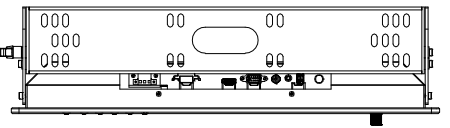
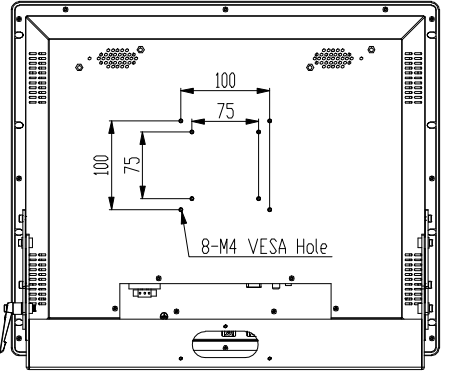
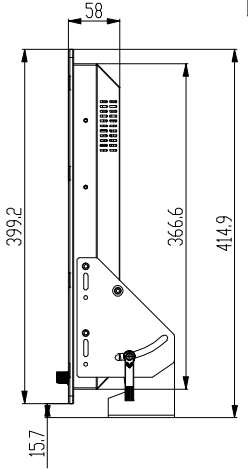
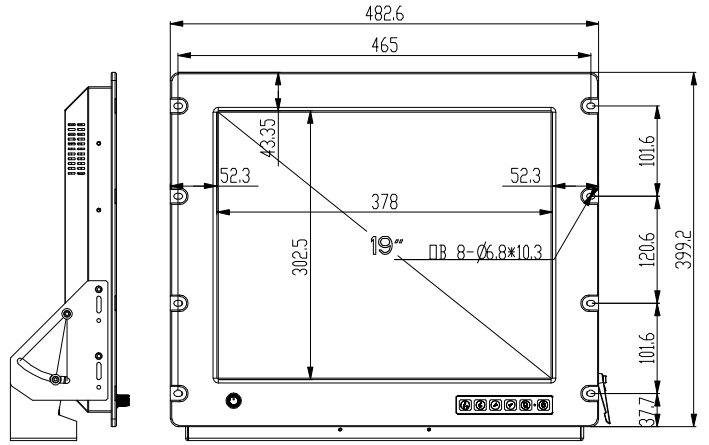
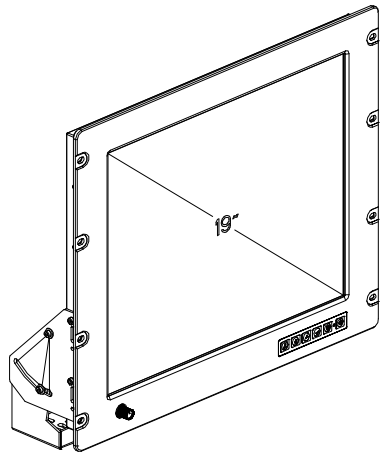
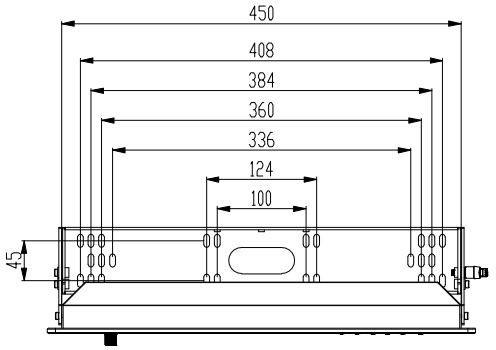
Stand/Roof Mount + Robust Bracket



Sun Visor Bracket



6	7	8
MARK △	DATE	UPDATE DESCRIPTION
		SIGN APPROVER



CUT OUT DIMENSION (452x368.6mm) UNIT:mm

* Note: this is a simplified drawing and some components are not marked in detail. Please contact our sales representative if you need further product information.

Ver.	A0	FINISHING					
Q'ty	1	MATERIAL					
SELECT V	V			3RD ANGLE'S			
DIM TOL	A B C D EXTRA			APPROVED		TITLE MIPM-19HBT-DC-ASSY	
-8	±0.03 ±0.05 ±0.10 ±0.20			CHECKED		DRAWIN NO. MIPM-19HBT-DC-3D3V.DWG	
8-25	±0.05 ±0.08 ±0.20 ±0.30			DESIGNED		MODEL NO. MIPM-19HBT-DC SCALE 0.2 UNIT: MM	
25-80	±0.08 ±0.12 ±0.30 ±0.40			DATE 23-May-19		PART NO.	
80-250	±0.12 ±0.20 ±0.40 ±0.50					SIZE A3 SHEET: 1 OF 1	
250-	±0.20 ±0.30 ±0.50 ±0.60						
ANGLE TOL	±0.2° ±0.3° ±0.4° ±0.5°						