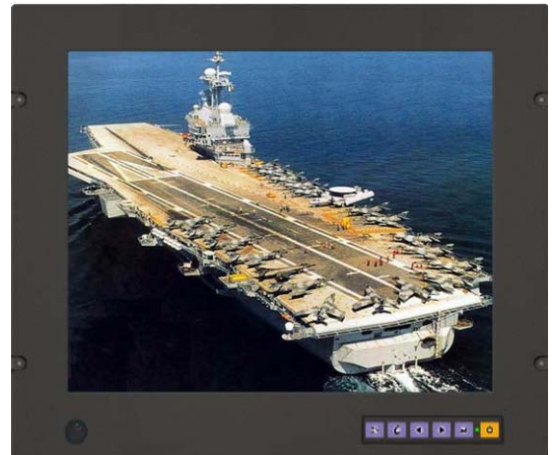


Model: MIPM-15
15" Marine Industrial Panel Monitor (VGA +DVI + S-Video + AV input)

Main Feature

- Dimming knob control backlight brightness from nearly 0% to 100%
- Front IP65 aluminum bezel with powder coating
- Wide range DC8~30V power input with Lockable connector (AC Power in option)
- Front hardness AR glass protection (touch option)
- Build in 2 x 2 watts stereo speaker
- IP65 Front OSD Design , Ease for use front OSD control
- Enhanced anti-shock and vibration resistance design
- Meet standard VESA hole (75 x 75mm and 100 x 100mm)
- Panel (Flush) mount ,VESA and bracket mount



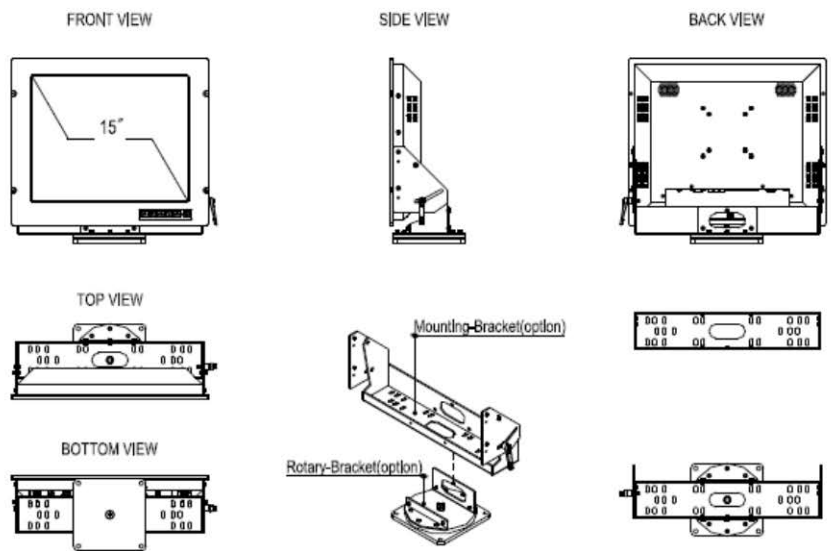
Specification	
Product Model	MIPM-15
LCD Panel	Display Type : 15" XGA TFT LCD Screen resolution (Pixels) : 1024 × 768 Brightness : 250cd/m2 Contrast Ratio : 700 : 1 Pixel Size : 0.297*0.297 Max Color : 16.2M Viewing angle : 150° (H) , 135° (V) Response Time : 8 ms LCD MTBF : 50,000hrs
Mechanical and Environmental	Power Control : Front Power On/Off via Front Button OSD control : Front on screen display control Mounting : Panel (Flush) mount ,VESA and bracket mount Dimensions (WxHxD) : 375 x 300 x 58 mm Weight : Net 6kg Operating Temperature : 0 °C to 50 °C Storage temperature : -20 °C to 60 °C Storage humidity : 10% to 90%non-condensing Anti-Vibration : 5Hz-500 HZ / 1G PTP Anti-Shock : 15G / Peak(11m sec)
Available Options	AC Power input : 100 to 240 V AC Bracket mount : Stand and roof mount / Rotary bracket / Sun Visor bracket
Input Signals	RGB Signal : D-SUB 15P connector(female) Composite Audio/Video : RCA plug S-Video Signal : S-Video (SVHS) plug DVI-D Signal : DVI-D input 24pin connector DC Power Signal : 5.8mm DC Jack with Lockable AC Power Signal (Option) : Standard IEC Inlet

Power Specifications	DC Input : 8-30V DC to DC power input with Lockable connector
Certification and Approvals	CE/FCC/Rohs Certification: IEC60945

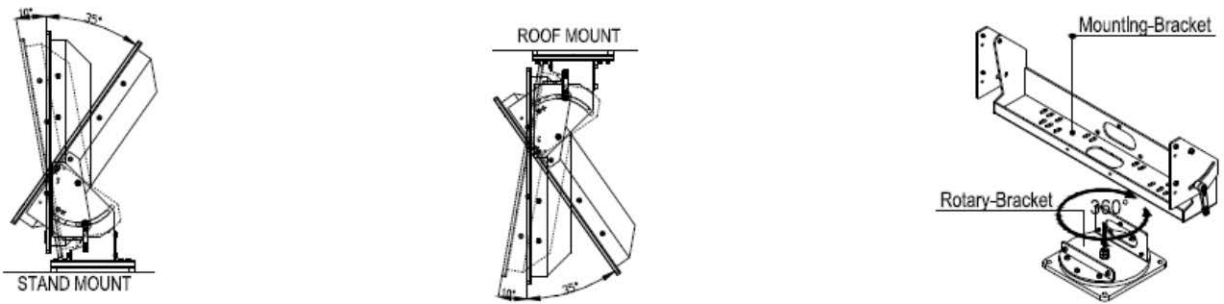
Ordering Information

MIPM-15	15" Marine Industrial Panel Monitor (VGA +DVI + S-Video + AV input)
Optional: SR-BKT	Mounting bracket for stand and roof mount
Optional: RT-BKT	Rotary bracket
Optional: SV-BKT	Sun Visor bracket

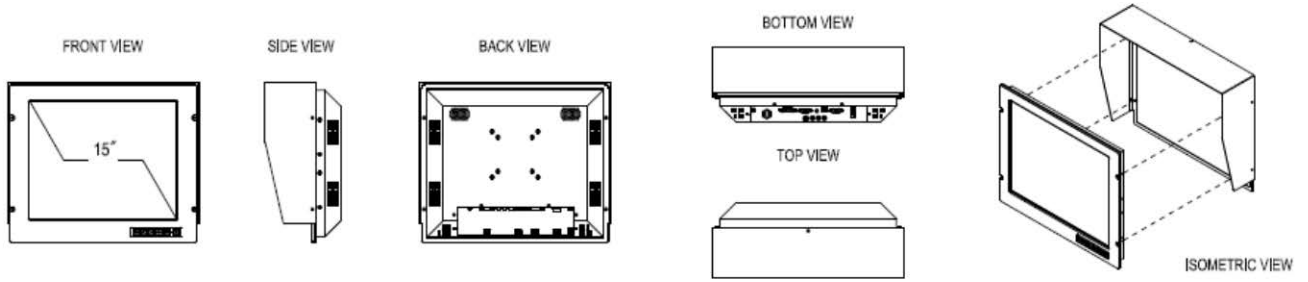
Mechanical Drawing with Robust Bracket (options)



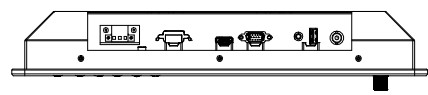
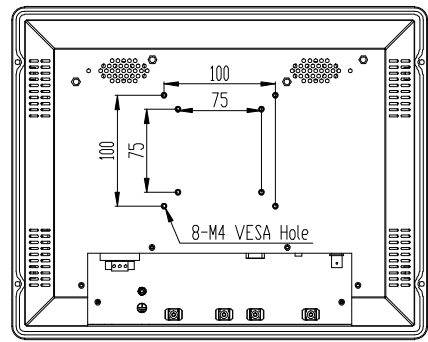
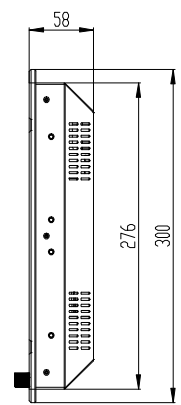
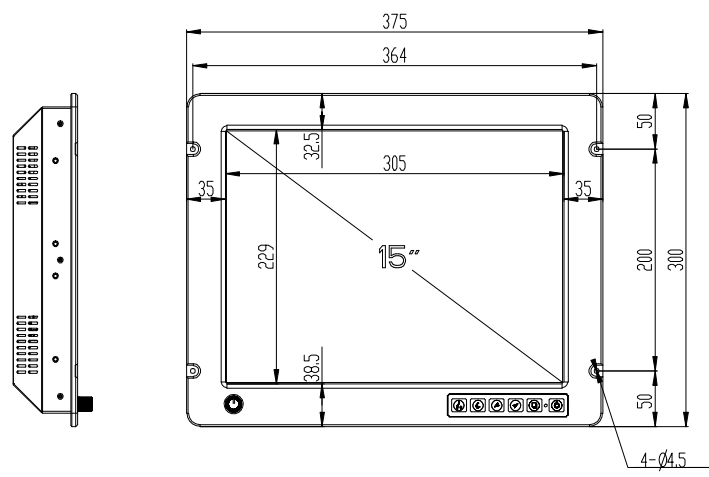
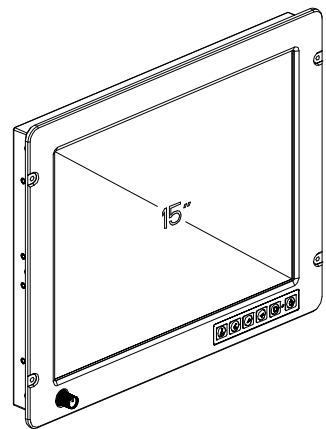
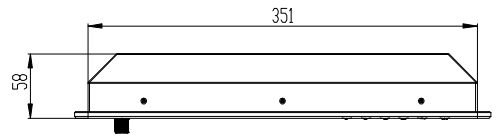
Stand/Roof Mount + Robust Bracket



Sun Visor Bracket



6	7	8
MARK △	DATE	UPDATE DESCRIPTION
		SIGN APPROVER



CUT OUT DIMENSION (353x302mm) UNIT:mm

* Note: this is a simplified drawing and some components are not marked in detail. Please contact our sales representative if you need further product information.

Ver.	A0	FINISHING					
Q'ty	1	MATERIAL					
SELECT V	V			3RD ANGLE'S			
DIM	TOL	A	B	C	D	EXTRA	
-8	±0.03	±0.05	±0.10	±0.20			APPROVED
8-25	±0.05	±0.08	±0.20	±0.30			CHECKED
25-80	±0.08	±0.12	±0.30	±0.40			DESIGNED
80-250	±0.12	±0.20	±0.40	±0.50			DATE
250-	±0.20	±0.30	±0.50	±0.60			
ANGLE TOL	±0.2°	±0.3°	±0.4°	±0.5°			
TITLE		MIPM-15-ASSY					
DRAWIN NO.		MIPM-15-3D3V.DWG					
MODEL NO.		MIPM-15		SCALE	0.25	UNIT: MM	
PART NO.		SIZE	A3	SHEET: 1 OF 1			