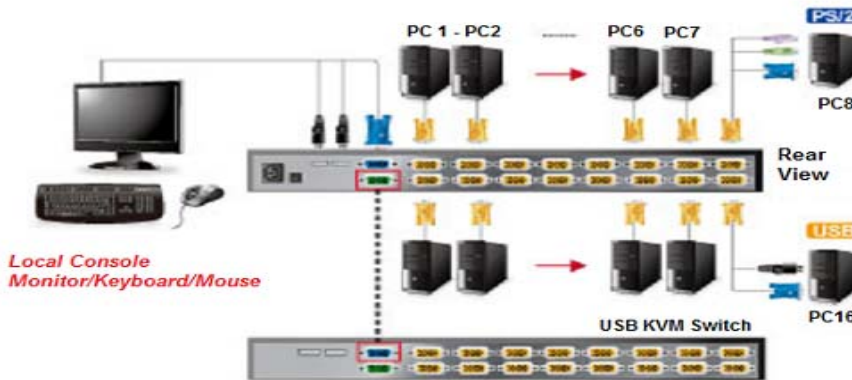
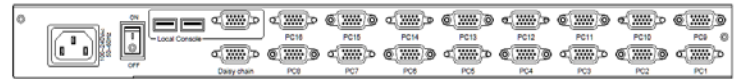
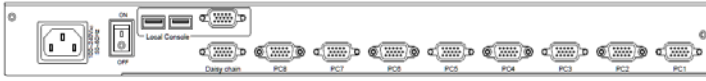


Model: KVM-17087CA6C!L
**1U Rackmount 17" LCD, with
 8 port KVM switch & local console**

KVM-17167CA6C!L
**1U Rackmount 17" LCD, with
 16 port KVM switch & local console**



Main Feature

- One console controls up to 8 / 16 directly connected computers
- Dedicated daisy chain port to expand up to 240 servers
- One additional one USB Local console to add local KB/Mouse & VGA.
- Support multiple form - PS/2 and USB computers (SUN and MAC)
- Support DOS, Windows, Netware, Unix, Linux, Mac OS
- Hot Pluggable - Add or remove connected PCs without having to power down the KVM switch or computers
- No software required - easy PC selection via Push Buttons, Hot Keys or OSD (on screen display)
- Auto Scan Mode for monitoring PCs
- Firmware upgradeable for staying compatible with new coming computers
- Durable 104-key keyboard and touch pad
- Self-locking and auto release rails for ultra-convenience.

Specification			
Product Model		KVM-1708COMBO-L (8 port)	KVM-1716COMBO-L (16 port)
LCD	Size	17" TFT	
	Resolution	1280 X 1024	
	Max. color	16.7M	
	Luminance	250 nit (LED Backlight)	
	View Angel	176° (H) , 170° (V)	
	Contrast Ratio	1000 : 1	
Computer Connections	Direct	8	16
	Maximum	232	240
Computer Port Selection		OSD, Hot Key, Push Button	
Connector	Power	AC Inlet	
	Computer	HDB 15 Female	
	Daisy Chain	HDB 15 Female	
	Local Console	2 x USB for Keyboard & Mouse, 1 x VGA for Monitor	
CAT5-Based Remote Transmit / Receive Module (Optional: KV-300)		KVM Extender transmits KVM up to 300m away from a computer using Cat5/5e/6 cable	
LEDs	Port	8	16
	Power	1	
Button / Switch	Power Switch	Rock Switch	
	LCD Adjustment	Button	
Hotkey		Provide various Hotkey (Scroll-Lock/ Cap-Lock/ Num-Lock/ Alt/ Ctrl)	
Auto-Scan Intervals		5 - 99 Seconds	
Video Resolution (Local Console)		1280 x 1024	
Power Input Rating		100-240VAC ; 50/60Hz ; 1A	
Power Consumption		35W	
Environment	Operating Temperature	0 - 50° C	
	Store Temperature	-20 - 60° C	
	Humidity	0-80% RH , NC	
Housing		Heavy Duty Steel	
Size		19" Rack mount, 1U	
Net Weight		16.1KG (1port), 16.3KG (8port), 16.7KG (16port)	
Gross Weight		20.9KG (1port), 21.1KG (8port), 21.5KG (16port)	
Dimensions (W*D*H)		448 x 580 x 42 mm	
Packing Dimensions (W*D*H)		710 x 780 x 170 mm	
Order Information			
KVM-1708COMBO-L		1U Rackmount 17" LCD, with 8 port KVM switch & local console	
KVM-1716COMBO-L		1U Rackmount 17" LCD, with 16 port KVM switch & local console	
KCVU-018		USB, 2 in 1 KVM Cable , 1.8 meter length	
KCVU-030		USB, 2 in 1 KVM Cable , 3 meter length	
KCVU-050		USB, 2 in 1 KVM Cable , 5 meter length	
KCVU-070		USB, 2 in 1 KVM Cable , 7 meter length	
KCVU-100		USB, 2 in 1 KVM Cable , 10 meter length	

Structure Diagram Unit :mm

