

15.6 " Full HD Portable LCD Console

KVM-156WHD

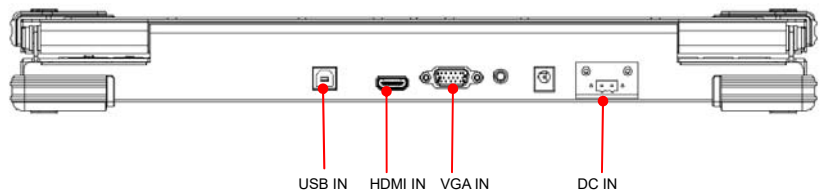
DA VISION



- 15.6" Full HD TFT LED Panel support 1920 x 1080 pixels
- Aluminum Case, Portable and Light weight for easy handheld
- Rugged construction and slim modularized design
- Input signal: VGA + HDMI
- 250 cd/m2 brightness
- Front 2 x USB2.0 Type A, Sharing USB peripheral Device for computer (ex, flash disk, hard driver, KB / Mouse)
- Durable 96-key keyboard and touch pad.
- Hot Pluggable, no software or driver required.
- DC 12V Input



Design Drawings



Specifications

TFT characteristics

Display Type : 15.6" Full HD TFT LCD
Resolution : 1920 x 1080
Max.color : 16.7M
Luminance : 250 cd/m2
View Angle : 178° (H) , 178° (V)
Pixel Pitch : 59.75 x 179.25 um
Contrast Ratio : 3000 : 1
Response Time : 15 ms
LCD MTBF : 50,000hrs

Mechanical and Environmental

Construction : All-aluminum material
Dimensions (WxHxD) : 395 x 295 x 50.3 mm
Weight : Net: 3.5kg , Gross:6.0 kg
Operating temperature : 0 °C to 50 °C
Storage temperature : -20 °C to 60 °C
Storage humidity : 10% to 90% non-condensing
Anti-Vibration : 17HZ-500 HZ 1G PTP
Anti-Shock : 1G / peak(11m sec)

Available Options

Touch Screen : Resistive Type with USB and RS232 controller
DC Power Input : wide Range 9~36v DC input

Power Specifications

Input: 100~240VAC,50/60Hz
Output: DC12V@ 5A / 60W ,external ac adapter

Input Signals

RGB Signal : D-SUB 15P Connector (female)
DC input : 2Pin Terminal Blocks
HDMI Signal : HDMI input connector (female)
Touch screen RS232 (option) : D-SUB 9p connector (female)
Touch screen USB (option) : USB-A type connector (female)

15.6 " Full HD Portable LCD Console

KVM-156WHD



Certification and Approvals

• CE/FCC/ROHS

Ordering Information

Product Model:

KVM-156WHD: 15.6" Full HD portable LCD Console, with VGA + HDMI input

KVM-156WHD-T: 15.6" Full HD portable LCD Console, with VGA + HDMI input, with touch screen - USB interface

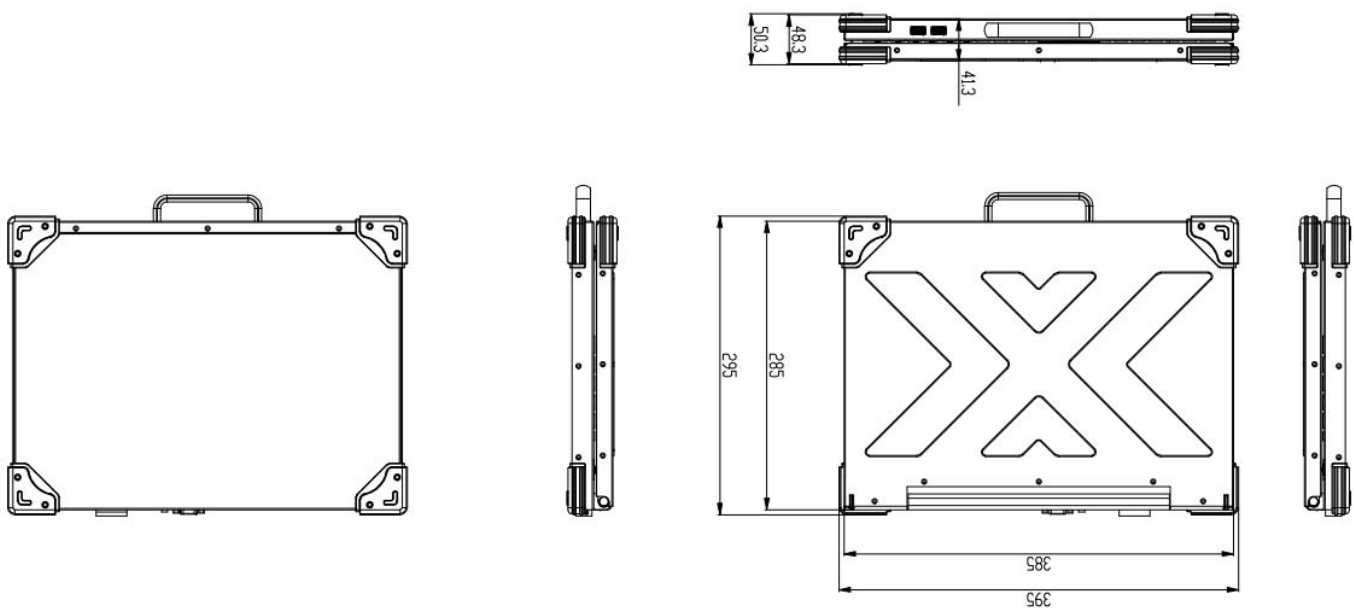
DC: add Wide Range 12 ~ 24VDC input power module

Accessory

Power Adapter x 1, 1.5meter IEC Type Power Cord x1 , 1.5 meter VGA cable x 1 , 1.5 meter HDMI cable x 1 , 1.5meter USB cable x 1

Design Drawings

Unit : mm



DA Vision PTE LTD
GST Registration No.: 201327223M

Tel: (65) 6853 0809
20 Woodlands Link, #09-23, Woodland East Ind' Estate, Singapore 738733

Fax: (65) 6853 0153

Company Registration No.: 201327223M

Website: www.davision.com.sg

All specifications are subject to change without prior notice