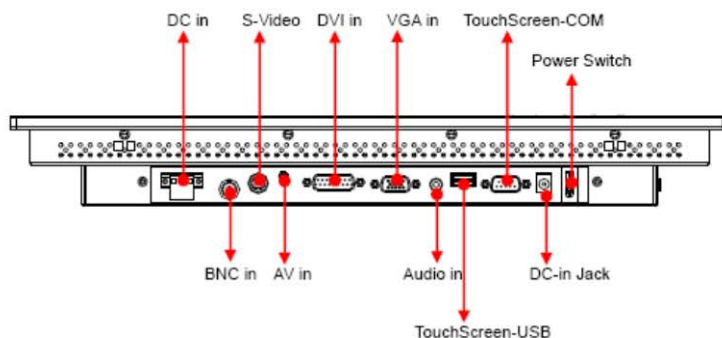
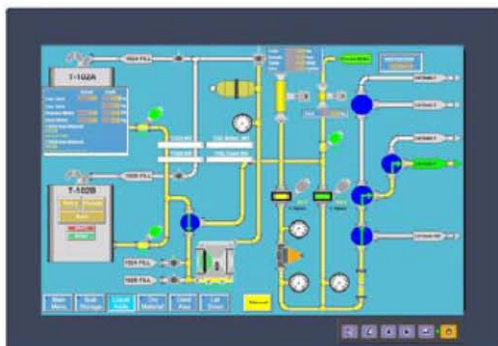


**Model: IDPMB-17W**  
**17.3" Industrial Panel Monitor (Wide Screen)**



### Main Feature

- 17.3" Full HD LED Panel support 1920 × 1080 pixels
- 6mm Aluminum front bezel with strengthen glass
- Rugged construction design
- Input signal : VGA + DVI + Audio
- Build in 2 x 2 Watts stereo speaker
- OSD control keys to optimize the display
- NEMA4 / IP 65 compliant front panel
- AC 100-240V wide range external AC adapter
- Panel mounting with clip
- Meet standard VESA hole ( 75x75 and 100x100 mm ), support desktop stand/wall mount /swing arm mounting

| Specification                    |  |
|----------------------------------|--|
| Product Model                    | IDPMB-17W  |
| LCD Panel                        | Display Type : 17.3" Full HD LED Panel<br>Resolution : 1920 x 1080<br>Luminance : 300 cd/m2<br>View Angel : 130°(H), 120°(V)<br>Pixel Pitch : 0.1989 x 0.989 mm<br>Contrast Ratio : 500 : 1<br>Response Time : 2 ms<br>Power Consumption : 12W<br>LCD MTBF : 50,000hrs |
| Signal Input                     | VGA ( 15 pin D-sub connector ) + DVI (DVI-D) + audio input ( audio jack )  |
| Protect Glass                    | 3 mm strengthen glass  |
| Speaker                          | Built-in 2x stereo speakers(2watt)   |
| OSD                              | Brightness, Contrast, H/V Position, Color, Phase, Clock, auto tune and recall  |
| Signal Connectivity ( optional ) | AV input (S-Video, RCA, BNC)   |
| DC Power Input ( optional )      | Wide range DC 7V-28V input   |

|                            |  |
|----------------------------|--|
| Power Supply               | Input: 100~240VAC,50/60Hz<br>Output: DC12V@ 4A /48W ,external ac adapter   |
| Construction               | Heavy duty steel and aluminum front panel  |
| Environment                | Operating temperature: 0 °C to 50 °C<br>Storage temperature: -20 °C to 60 °C<br>Storage humidity: 10% to 95%, non-condensing<br>Vibration: 17 to 500HZ 1G PTP<br>Shock: 1G /peak( 11m sec) |
| Safety                     | CE/FCC/Rohs  |
| Dimension W x H x D ( mm ) | Dimensions: 440x302.5x54.3 mm  |
| Weight                     | NET weight: 7.5 KG; Gross weight: 9.5KG  |

## Ordering Information

|              |  |
|--------------|--|
| IDPMB-17W    | 17.3" Industrial Panel Monitor (Wide Screen) |
| Optional: DC | Support DC input (7-28VDC)                   |
| Optional: AV | Support AV Input (S-Video, RCA, BNC)         |

## Structure Diagram Unit: mm

