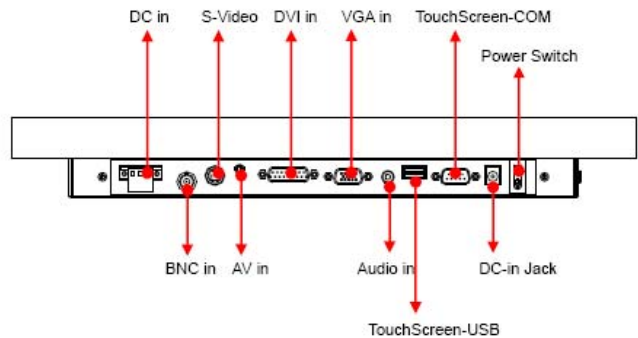


Model: ICM-19
19" Industrial Chassis Monitor



Main Feature

- 19" SXGA TFT LCD Panel support 1280 × 1024 pixels
- Heavy duty steel chassis with strengthen glass
- Rugged construction design
- Input signal : VGA + DVI + Audio
- Build in 2 x 2 Watts stereo speaker
- OSD control keys to optimize the display
- AC 100-240V wide range external AC adapter
- Meet standard VESA hole (75x75 and 100x100 mm), support desktop stand/wall mount /swing arm mounting

Specification	
Product Model	ICM-19
LCD Panel	Display Type : 19" SXGA TFT LCD Resolution : 1280 x 1024 Max. color : 16.7M Luminance : 300 cd/m2 View Angel : 178°(H), 178°(V) Pixel Pitch : 0.294 x 0.294 mm Contrast Ratio : 1000 : 1 Response Time : 5 ms Power Consumption : 23.25W LCD MTBF : 50,000hrs
Signal Input	VGA (15 pin D-sub connector) + DVI (DVI-D) + audio input (audio jack)
Protect Glass	3 mm strengthen glass
Speaker	Built-in 2x stereo speakers(2watt)
OSD	Brightness, Contrast, H/V Position, Color, Phase, Clock, auto tune and recall
Signal Connectivity (optional)	AV input (S-Video, RCA, BNC)
DC Power Input (optional)	Wide range DC 7V-28V input
Power Supply	Input: 100~240VAC, 50/60Hz

	Output: DC12V@ 5A /60W ,external ac adapter
Construction	Heavy duty steel chassis
Environment	Operating temperature: 0 °C to 50 °C Storage temperature: -20 °C to 60 °C Storage humidity: 10% to 95%, non-condensing Vibration: 17 to 500HZ 1G PTP Shock: 1G /peak(11m sec)
Safety	CE/FCC/Rohs
Dimension W x H x D (mm)	Dimensions: 435x360x50 mm
Weight	NET weight: KG; Gross weight: KG

Ordering Information

ICM-19	19" Industrial Chassis Monitor
Optional: DC	Support DC input (7-28VDC)
Optional: AV	Support AV Input (S-Video, RCA)

Structure Diagram

