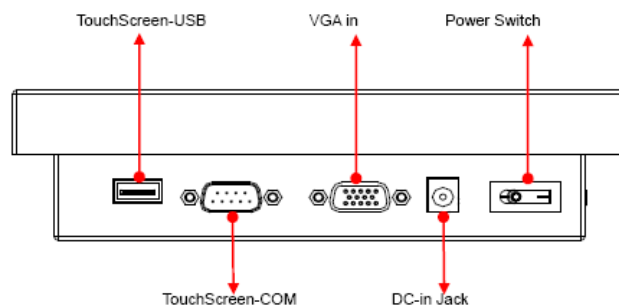


**Model: ICM-06T**  
**6.5" Industrial Chassis Monitor, with Touch Screen**



### Main Feature

- 6.5" VGA TFT LCD Panel support 640×480 pixels
- Heavy duty steel chassis with strengthen glass
- Rugged construction design
- Input signal : VGA
- OSD control keys to optimize the display
- AC 100-240V wide range external AC adapter
- Meet standard VESA hole ( 75x75mm ), support desktop stand/wall mount /swing arm mounting

Specification	
Product Model	ICM-06T
LCD Panel	Display Type : 6.5" VGA TFT LCD Resolution : 640×480 Max. color : 262K Luminance : 500 cd/m <sup>2</sup> View Angel : 140° (H) , 120° (V) Pixel Pitch : 0.069 x 0.207 mm Contrast Ratio : 450 : 1 Response Time : 26 ms Power Consumption : 4.5W LED backlight lifecycle : 50,000hrs
Signal Input	VGA ( 15 pin D-sub connector )
Protect Glass	3 mm strengthen glass
OSD	Brightness, Contrast, H/V Position, Color, Phase, Clock, auto tune and recall
Signal Connectivity ( optional )	AV input (S-Video, RCA)
DC Power Input ( optional )	Wide range DC 7V-28V input
Power Supply	Input: 100-240VAC,50/60Hz Output: DC12V@ 4A /48W ,external ac adapter

Construction	Heavy duty steel chassis
Touch Screen	Internal USB or RS-232 interface controller Type: Analog resistive type : 25VDC $\geq$ 20M $\Omega$ Resolution: continuous Light transmission: 80% or more Power consumption: <5V @1mA Surface hardness : 3H Operating force : $\leq$ 100g Life expectancy : 35 Million Operation system : Window 98 / 2000 / ME / XP / NT / CE, DOS , Linux
Environment	Operating temperature: 0 °C to 50 °C Storage temperature: -20 °C to 60 °C Storage humidity: 10% to 95%, non-condensing Vibration: 17 to 500HZ 1G PTP Shock: 1G /peak( 11m sec)
Safety	CE/FCC/Rohs
Dimension W x H x D ( mm )	Dimensions: 185x148x50 mm
Weight	NET weight: 2.8KG; Gross weight: 4.7KG
Safety	CE/FCC/ROHS
Dimension W x H x D ( mm )	430 x 200 x 44.4 (1U 19" Rackmount)

## Ordering Information

ICM-06T	6.5" Industrial Chassis Monitor, with Touch Screen
Optional: DC	Support DC input (7-28VDC)
Optional: AV	Support AV Input (S-Video, RCA)

## Structure Diagram

