

**Model: FPM-7385WT**  
**18.5" Industrial Monitor - Projected Capacitive Touch screen, VGA and HDMI inputs**



### Main Feature

- LED Panel - Higher Brightness; Longer Life Span; Better Viewing Angle; Less Power Consumption ...
- 18.5" HD LED Panel support 1366x768 pixels
- 8mm Aluminum Magnesium Alloy front bezel
- NEMA4 / IP 65 compliant front panel, with Rugged construction design
- Front flat glass (7H Hardness) with projected capacitive Multi Touch Screen
- Supports 10 points multi-touch via USB interface in Windows 7/8.1/10...
- Slim design for Panel mount / Wall mount easy installation
- Input signal : VGA + HDMI + USB
- Wide Range 12-24VDC input
- Meet standard VESA hole ( 75x75 & 100X100mm ), support desktop stand/wall mount /swing arm mounting

### Application:

Factory Automation, Processor Automation, Power Generation, Marine / Offshore Industrial, Kiosk ...

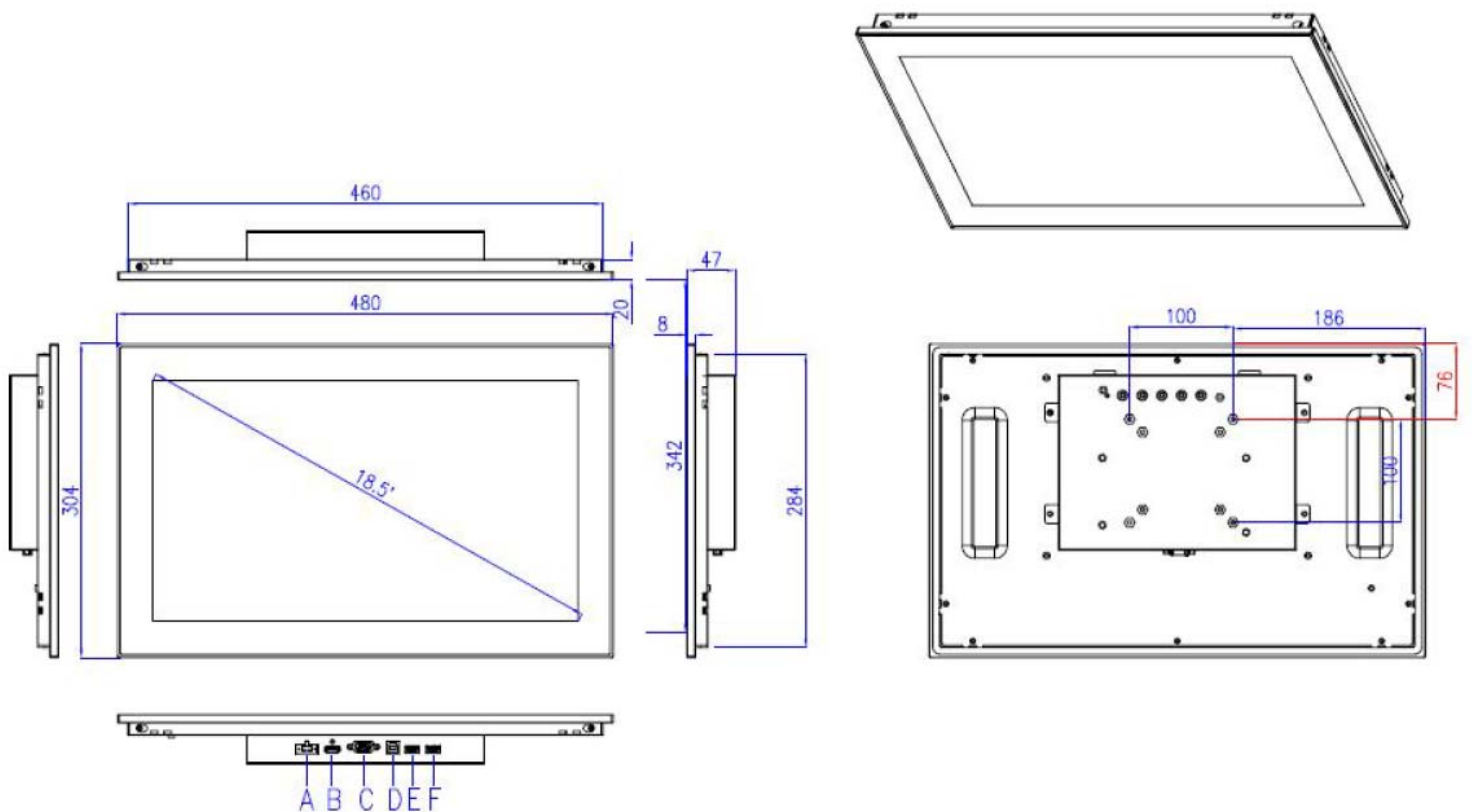
Specification	
Product Model	FPM-7385WT
LCD Panel	Display Type : 18.5" HD LED Panel Resolution : 1366x768 Max. color : 16.7M Luminance : 250 cd/m2 View Angel : 170° (H), 160° (V) Contrast Ratio : 1000 : 1 LED backlight lifecycle : 50,000hrs
Signal Input	VGA + HDMI + USB
OSD	Auto; Menu; Left; Right; Exit/Select; Power On/Off
Touch Screen	Internal USB interface controller - Projected Capacitive Multi Touch (10 points) Light transmission: 85% or more Surface hardness : 7H Operation system : DOS; Windows XP / 7 / 8.1 / 10; Linux

Power Supply	Input: 12-24VDC Wide range
Construction	Aluminum magnesium alloy front panel with heavy-duty steel chassis
Environment	Operating temperature: -0 °C to 60 °C Storage temperature: -20 °C to 70 °C Storage humidity: 10% to 95%, non-condensing Vibration: 50 to 500HZ 1G PTP Shock: 10G /peak( 11m sec)
Safety	CE/FCC/Rohs
Dimension W x H x D ( mm )	480 x 304 x 47 mm

## Ordering Information

FPM-7385WT	18.5" Industrial Monitor with Projected Capacitive Touch screen, VGA + HDMI input
(Optional) AC to DC Adapter	12VDC/60watt Power Adapter, input 110-240VAC

## Structure Diagram (Panel cut-off dimension: 463 x 287mm)



**A: DC Input**      **B: HDMI**      **C: VGA**  
**D: USB for Touch**      **E: USB**      **F: USB**