

Model: EIPC-i3-22WCT
21.5" Full HD LED Capacitive Multi Touch Panel PC, with Intel Core i3 processor - 6 x COM; IP65 front protection; Optional WIFI

Main Feature

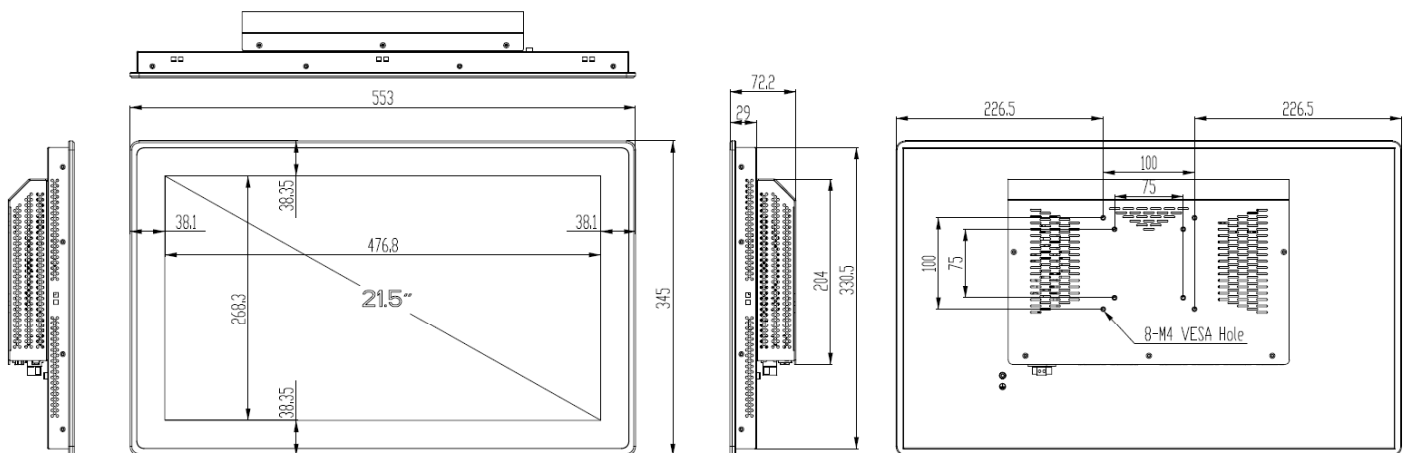
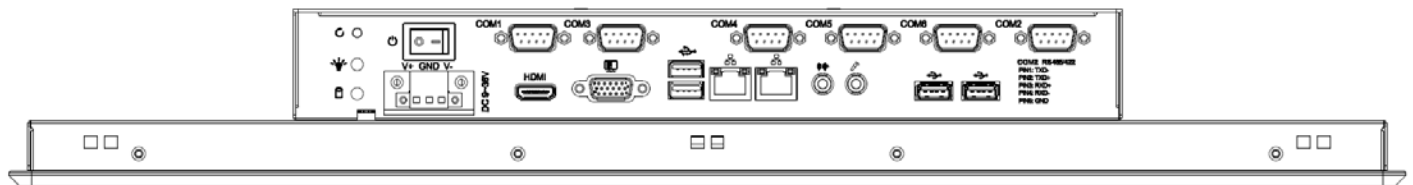
- LED Panel - Higher Brightness; Longer Life Span; Better Viewing Angle; Less Power Consumption..
- 21.5" Full HD LED Panel support 1920x1080 pixels
- Intel® Core™ i3 6100U Processor
- Rugged construction design
- Front 6mm Aluminum bezel - NEMA4 / IP 65 compliant
- 6 x COM port (5 x RS232 and 1 x RS232/422/485)
- Wide Range 9-36VDC input
- Front flat glass (7H Hardness) with projected capacitive Multi Touch Screen
- (Optional - WIFI) MINI PCI-E WIFI Module with Antenna
- Panel (Flush) mounting with clip
- Meet standard VESA hole (75 & 100 mm), support desk top stand / wall mount / swing arm mounting
- **Application:** Kiosk; Digital Signage; Factory Automation; Processor Automation; Marine / Offshore Industrial ...



Specification	
Product Model	EIPC-i3-22WCT
Processor	Intel® Core™ i3 6100U Processor (Dual Core, 2.3 GHz, 3M Cache)
Chipset	Intel® SOC integrated
Memory	2 x DDRIII SO-DIMM Socket up to 16GB
Storage	1 x 2.5" SSD/HDD drive bay, 1 x mSATA Slot for SSD
Display	Display Type : 21.5" Full HD LED Panel LCD Resolution : 1920 x 1080 Luminance : 250 cd/m2 View Angel : 178°(H), 178°(V)
Audio	Realtek ALC662 HD Audio Controller
LAN	Realtek RTL8111H/F Gigabit LAN
USB port	2 x USB 2.0 & 2 x USB 2.0/3.0
Graphic	Intel® HD Graphics 520, VGA (Max. resolution @ 1920 x 1080) + HDMI 1.4 (supporting a maximum resolution of 4K @ 30Hz)
Expansive interface	1 x Mini PCI-E 2.0 (for WIFI & Bluetooth)

Back panel I/O port	2 x RJ45, 2 x USB 3.0, 2 x USB 2.0, 1 x VGA, ; 1 x HDMI, 1 x Lin-in / Lin-out, 6 x COM 1 x HDD/PWR LED, 1 x Power / Reset Switch, 1 x PWR-In 3 PIN Terminal Block
Supporting OS	Windows 7/10/11, Linux
Touch Screen	Internal USB interface controller - Projected Capacitive Multi Touch (10 points) Light transmission: 85% or more Surface hardness : 7H
Wireless LAN (optional)	MINI PCI-E WIFI Module with Antenna & Bluetooth
Power Supply	9-36VDC input with 3 pin termination block
Construction	Heavy duty steel and aluminum front panel
Environment	Operating temperature: 0°C to 60°C Relative humidity: 10% to 90%non-condensing Vibration: 17 to 500HZ 1G PTP, Shock: 1G /peak(11m sec)
Compliance	CE; FCC; ROHS
Dimension W x H x D (mm)	553 x 345 x 72
Ordering Information:	
EIPC-i3-22WCT	21.5" Full HD Capacitive Multi Touch Panel PC - Intel Core i3, with 100~240VAC to DC 12V/5A adapter
<u>Optional - RAM</u>	8 to 64GB
<u>Optional - SSD / HDD</u>	128 GB to 2TB 2.5" SSD, 1 to 2TB 2.5" SATA HDD
<u>Optional - WIFI</u>	MINI PCI-E WIFI Module with Antenna
<u>Optional - OS</u>	Windows 7/ 10/11, Linux ...
<u>Optional - i3 11th Gen.</u>	Upgrade processor to i3 - 1115G4E (Dual Core, 2.2 to 3.9GHz, 6M Cache)

Structure Diagram



CUT OUT DIMENSION (540x332.5mm) UNIT:mm

* Note: this is a simplified drawing and some components are not marked in detail.
Please contact our sales representative if you need further product information.

