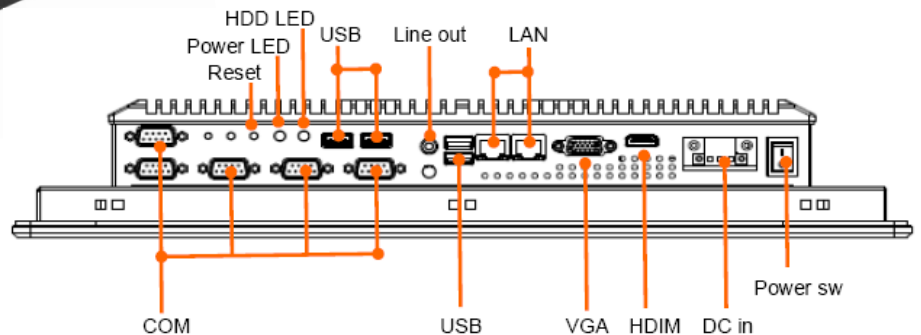


**Model:** EIPC-N2800-19T  
**19" Marine Suitable Intel Atom N2800 Fanless Panel PC with Touch Screen - 5 x COM; IP65 front protection; Optional - WIFI**



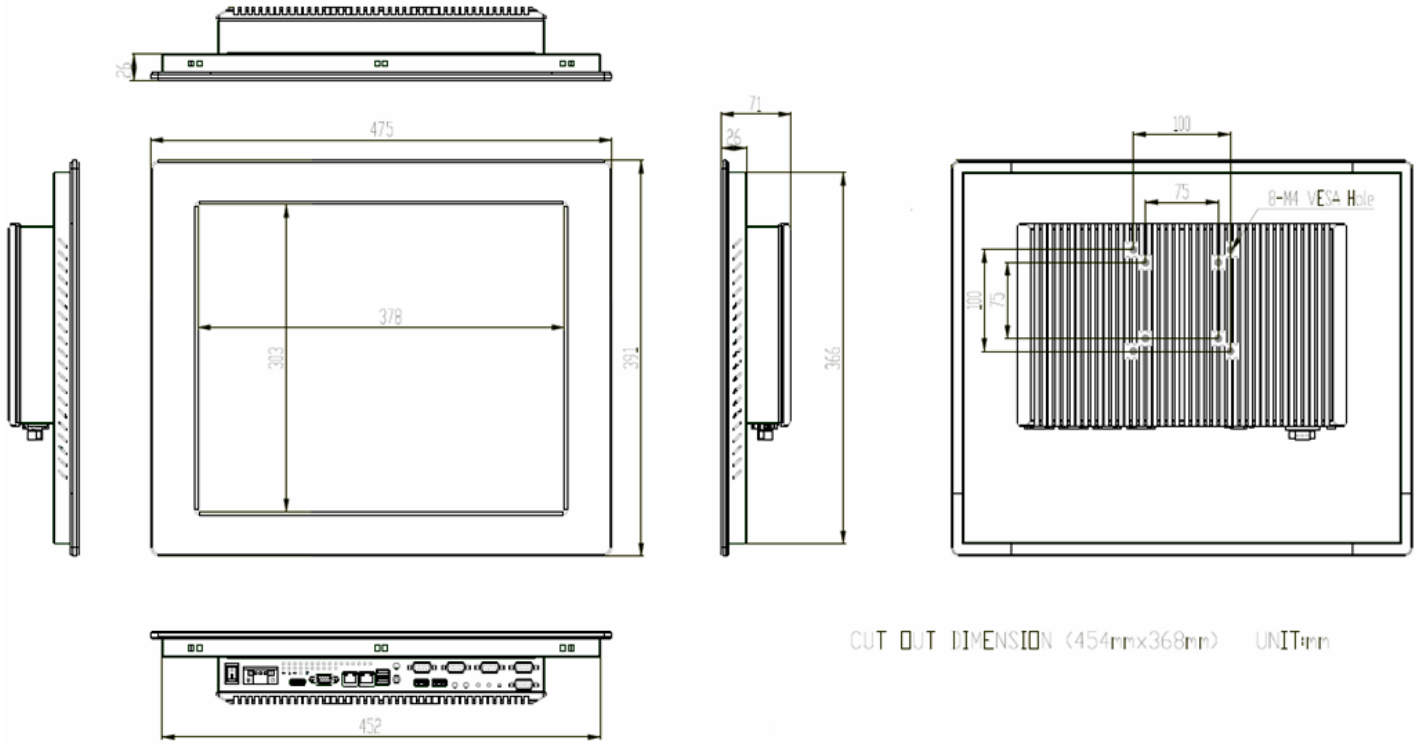
## Main Feature

- LED Panel - Higher Brightness; Longer Life Span; Better Viewing Angle; Less Power Consumption ...
- 19" SXGA LED Panel support 1280x1024 pixels
- Intel Atom N2800 ( 1.86GHz, Dual Core, 1MB Cache, 6.5watt) Processor
- Fanless rugged construction design
- Front 6mm Aluminum bezel - NEMA4 / IP 65 compliant
- 5 x COM (COM2 could set to RS422/485, default on RS232)
- Wide Range 9-28VDC input
- ( Optional - Touch Screen) Front hardness glass protect screen
- (Optional - WIFI) MINI PCI-E WIFI Module with Antenna
- Panel (Flush) mounting with clip
- Meet standard VESA hole ( 75 & 100 mm ), support desk top stand / wall mount / swing arm mounting

Specification	
Product Model	EIPC-N2800-19T
CPU	Intel Atom N2800 ( 1.86GHz, Dual Core, 1MB Cache, 6.5watt)
Chipset	Intel HM10

Memory	1 x DDRIII SO-DIMM RAM Socket up to 4GB
Storage	Space for 1 x 2.5" Drive Bay
Display	Display Type : 19" SXGA <u>LED Panel</u> LCD Resolution : 1280 x 1024 Luminance : 250 cd/m2 View Angel : 170° (H), 160° (V)
Audio	Realtek ® ALC662, 6 channel surround audio
LAN	2 x Realtek ® RL8111E (Gigabit ) 10/100/1000Ethernet
USB port	4 x USB 2.0
Display output	1 x VGA and 1 x HDMI
Expansive interface	1 x Mini PCI-E
Back panel I/O port	2 x RJ45; 4 x USB 2.0; 1 x VGA ; 1 x HDMI; 1 x Lin-in / Lin-out; 5 x COM; 1 x HDD/PWR LED; 1 x Power / Reset Switch; 1 x PWR-In 3 PIN Terminal Block
Supporting OS	DOS; Windows 2K/XP/Vista/7; Linux
Touch Screen ( optional )	Internal USB interface controller - Resistive Touch Internal USB or RS-232 interface controller Type: Analog resistive type : 25VDC ≥ 20MΩ Resolution: continuous Light transmission: 80% or more Power consumption: <5V @1mA Surface hardness : 3H Operating force : ≤100g Life expectancy : 35 Million
Wireless LAN ( optional )	MINI PCI-E WIFI Module with Antenna
Power Supply	9-28VDC input with 3 pin termination block
Construction	Heavy duty steel and aluminum front panel
Environment	Operating temperature: -5°C to 60°C Relative humidity: 10% to 90%non-condensing Vibration: 17 to 500HZ 1G PTP; Shock: 1G /peak( 11m sec)
Compliance	CE; FCC; ROHS
Dimension W x H x D ( mm )	475 x 391 x 71
<b>Ordering Information:</b>	
<b>EIPC-N2800-19T</b>	19" Marine Suitable Intel Atom N2800 Fanless Panel PC with Touch Screen, with 100-240VAC to DC 12V 60W adapter
<b><u>Optional</u> - RAM</b>	2 to 4GB DDRIII SO-DIMM RAM
<b><u>Optional</u> - SSD / HDD</b>	16 GB to 1TB SSD / 320GB to 1TB 2.5" SATA HDD
<b><u>Optional</u> - WIFI</b>	MINI PCI-E WIFI Module with Antenna
<b><u>Optional</u> - OS</b>	Windows XP or 7 Professional

## Structure Diagram



CUT OUT DIMENSION (454mmx368mm) UNIT:mm