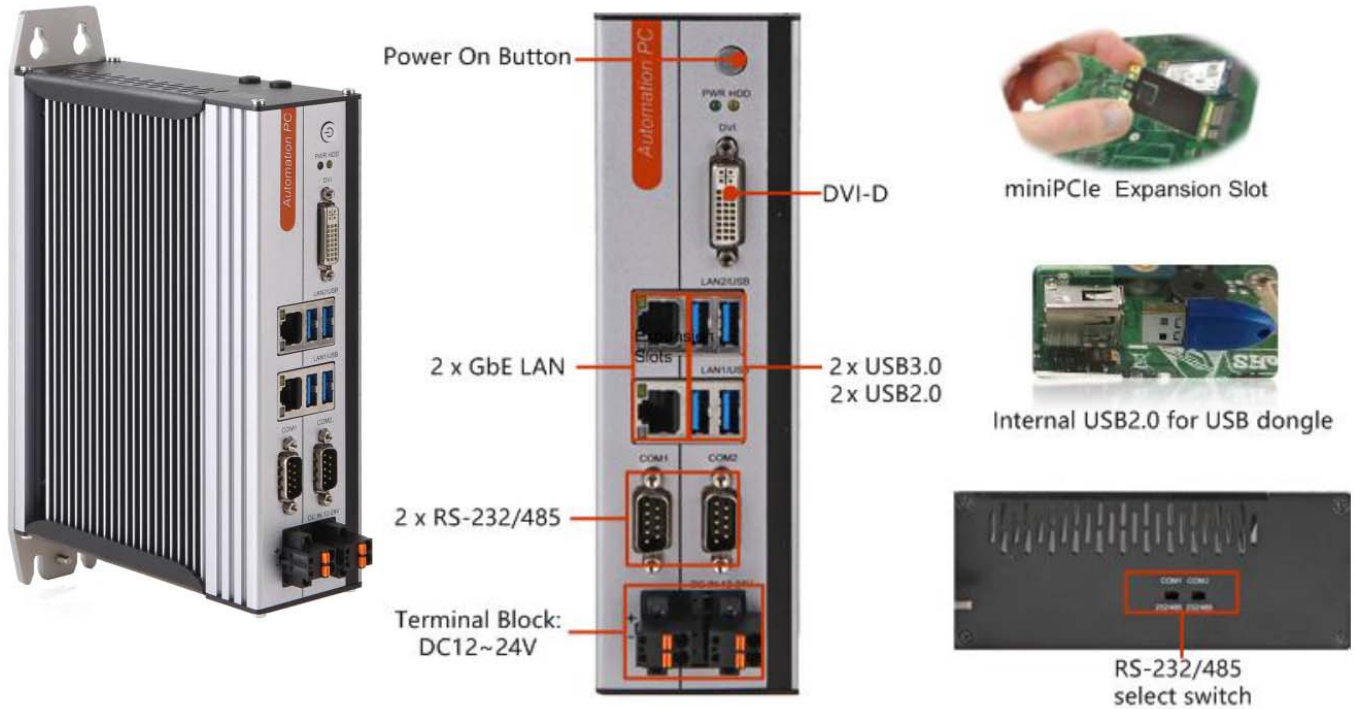


Model: APC-J6412
Fanless Automation PC with Intel® Celeron® J6412 processor, 2 x GLAN, 2 x RS232/485, supporting Real-time OS ...



Application:

Factory Automation; Processor Automation; Intelligent Traffic Control; Vision Inspection ...

Specification	
Product Model	APC-J6412
Processor	Intel® Celeron® J6412 Processor (2.0GHz, Quad Core, up to 2.6 GHz w/ burst frequency enabled , Elkhart Lake Architecture)
Memory	1 x DDR4 SO-DIMM Socket up to 32GB
Storage	1 x full size mSATA slot up to 2TB
LAN	2 x Intel® i210, Gigabit LAN Controller
USB port	4 x USB 2.0/3.0 and 1 x USB 2.0 (internally)
COM port	2 x optical isolated RS232/485 (with 8KV ESD and 600W Surge protection), RS-485 supporting auto flow control
Graphic	1 x DVI-D Port Supports the highest resolution 1920x1080 @60Hz
Expansive interface	1 x full size Mini PCI-E slot with SIM holder for WIFI, 3/4G, CAN module
I/O port	2 x RJ45; 4 x USB 2.0/3.0; 1 x DVI; 2 x RS232/RS485; 1 x Power Switch; 2 x DC input
Power Supply	12 - 24VDC (Redundant input)
Construction	Heavy duty steel and aluminum
Watchdog Timer	1 - 255 second programmable

Supporting OS	Windows 10/11 ; Linux (Ubuntu); Real-time operating system (RTOS) such as VxWorks, INtime...
Environment	Operating temperature: -20 °C to 60 °C Storage temperature: -40 °C to 80 °C Storage humidity: 10% to 90% non-condensing Vibration: 17 to 500HZ 1G PTP; Shock: 1G /peak (11m sec)
Safety	CE/FCC/ROHS
Dimension W x H x D (mm)	200 x 155 x 58

Ordering Information

APC-J6412	Fanless Automation PC with Intel® Celeron® J6412 Processor
Optional - Adapter	110-240VAC to 12V/5ADC 60 watt Power adapter
Optional - RAM	8 to 32GB DDR4 SO-DIMM RAM
Optional - SSD / HDD	128 GB to 2 TB SSD
Optional - OS	Windows 10 / 11 Professional <u>or</u> IoT Enterprise

Structure Diagram

